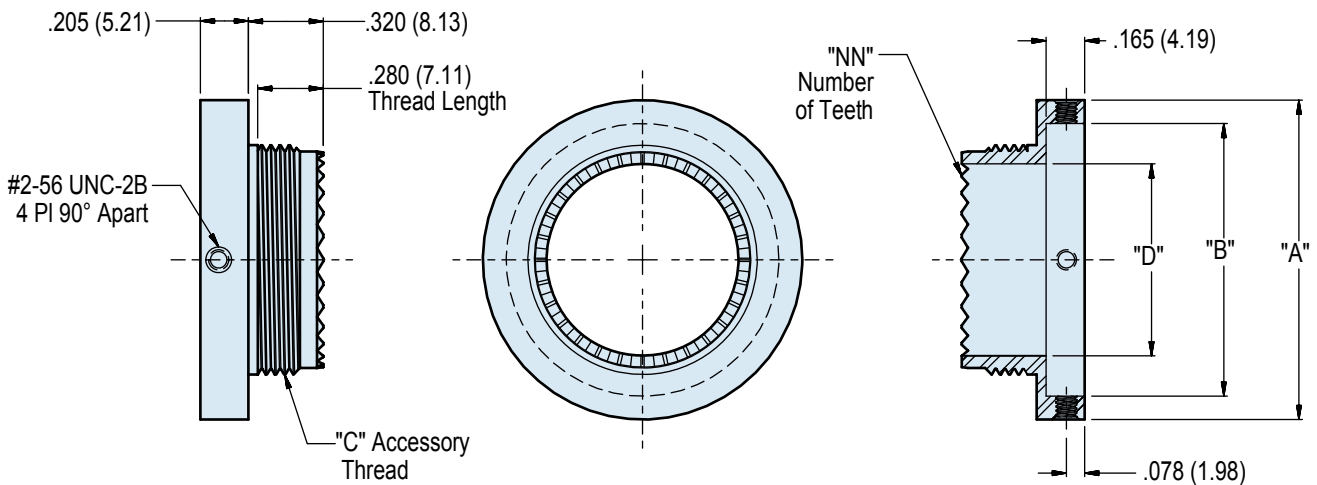
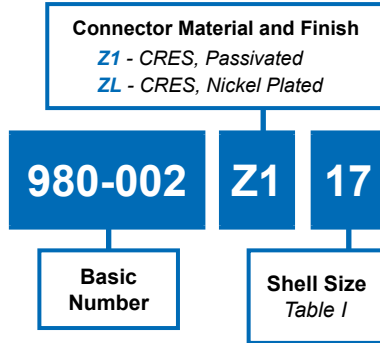




**980-002**  
**Non-Environmental Rear Accessory Thread Adapter**  
for MIL-DTL-38999/23 and /43

**B**



Dimensions in Inches (millimeters) are subject to change without notice.

**980-002**  
**Non-Environmental Rear Accessory Thread Adapter**  
**for MIL-DTL-38999/23 and /43**



MIL-DTL-38999  
Hermetic Connectors

B

TABLE I: CONNECTOR DIMENSIONS					
SHELL SIZE	A DIA	B DIA	C 1.0-6g 0.100R	D DIA MAX	NN TEETH
9	0.860 (21.84)	.662 (18.81) .656 (16.66)	M12	.346 (8.86)	12
11	0.985 (25.02)	.788 (20.02) .782 (19.86)	M15	.475 (12.07)	16
13	1.115 (28.32)	.917 (23.29) .911 (23.14)	M18	.589 (14.96)	20
15	1.240 (31.50)	1.042 (26.47) 1.037 (26.34)	M22	.714 (18.14)	24
17	1.360 (34.54)	1.165 (29.59) 1.159 (29.44)	M25	.839 (21.31)	28
19	1.488 (37.80)	1.291 (32.79) 1.285 (32.64)	M28	.945 (24.00)	32
21	1.615 (41.02)	1.418 (36.02) 1.412 (35.86)	M31	1.070 (27.18)	36
23	1.740 (44.20)	1.543 (39.19) 1.537 (39.04)	M34	1.194 (30.33)	40
25	1.862 (47.29)	1.665 (42.29) 1.659 (42.14)	M37	1.320 (33.53)	44

APPLICATION NOTES
<ol style="list-style-type: none"> <li>1. Assembly identified with manufacturer's name and PN, space permitting.</li> <li>2. Material/Finish: Adapter—300 Series CRES/passivate or 300 Series CRES/nickel plate Set Screws—18-8 CRES/None</li> <li>3. Glenair 980-002 is designed to adapt MIL-DTL-38999/23 or /43 jam-nut hermetic receptacles to use threaded rear backshells per specification.</li> </ol>

Dimensions in Inches (millimeters) are subject to change without notice.